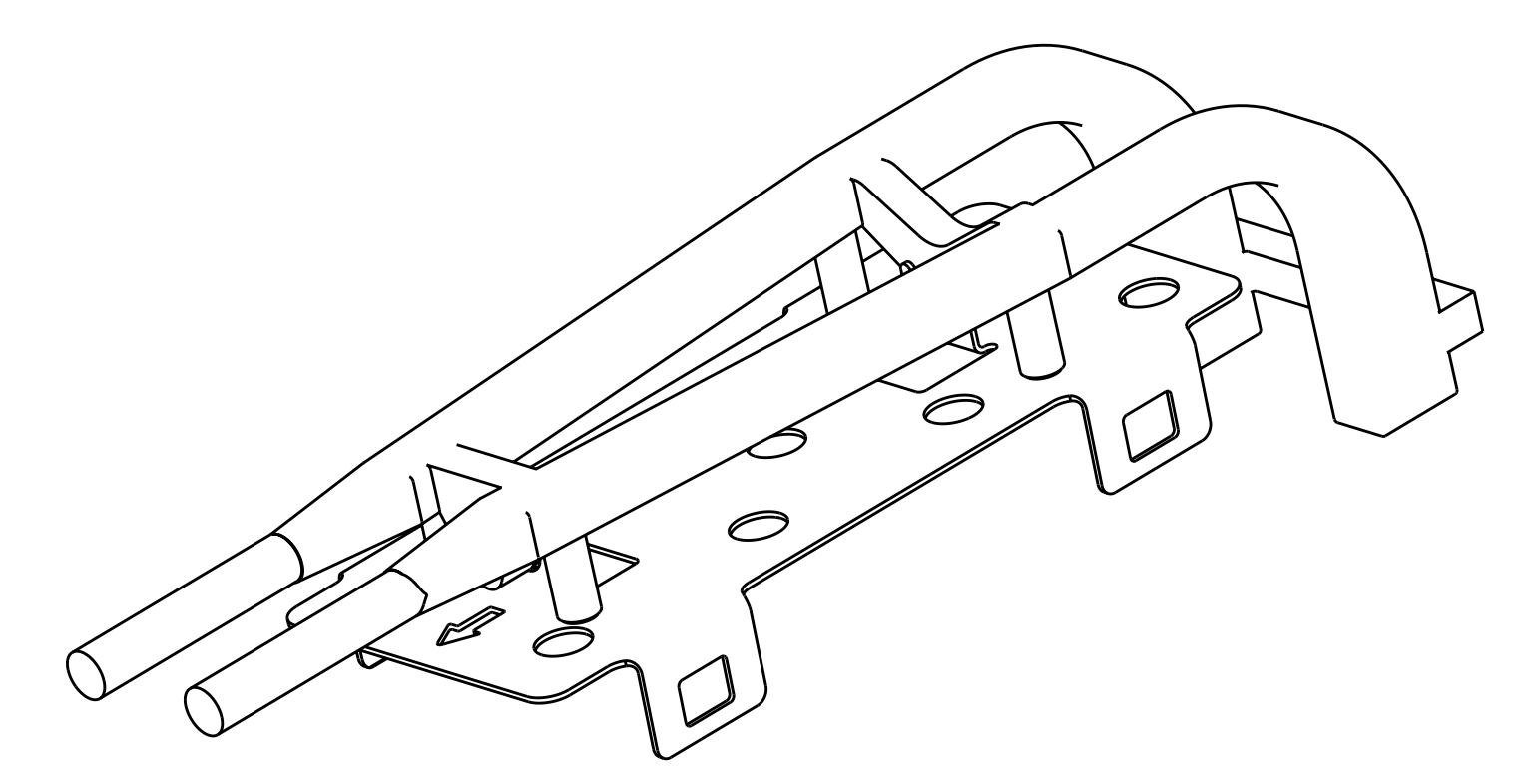
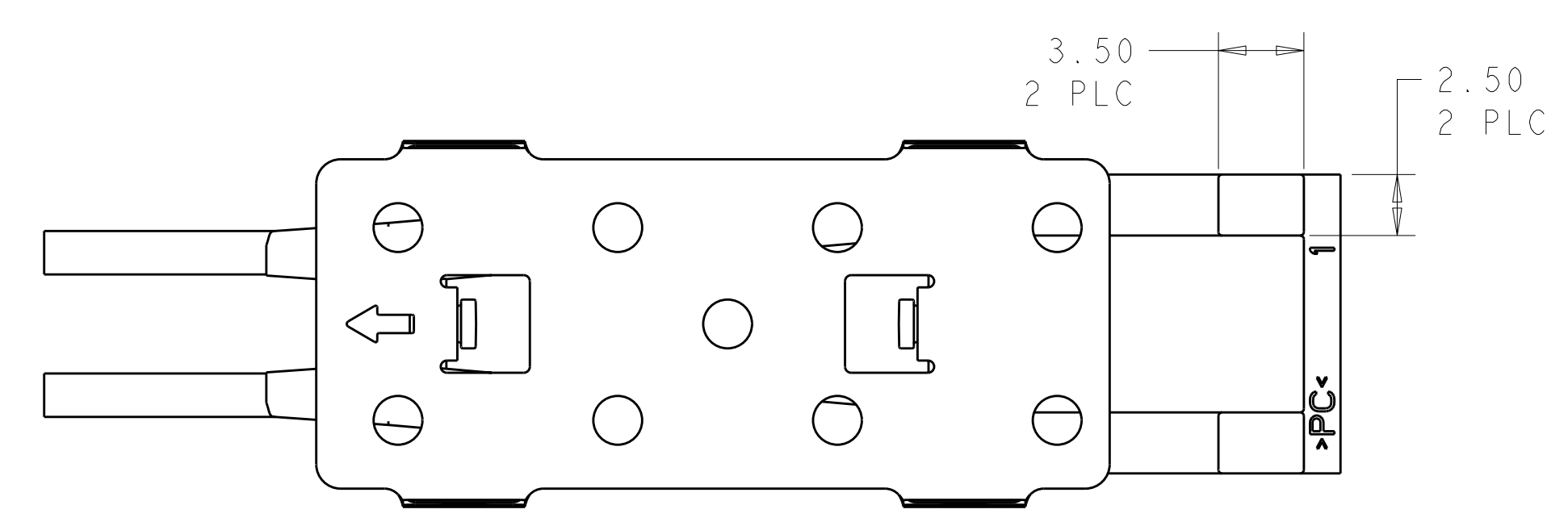
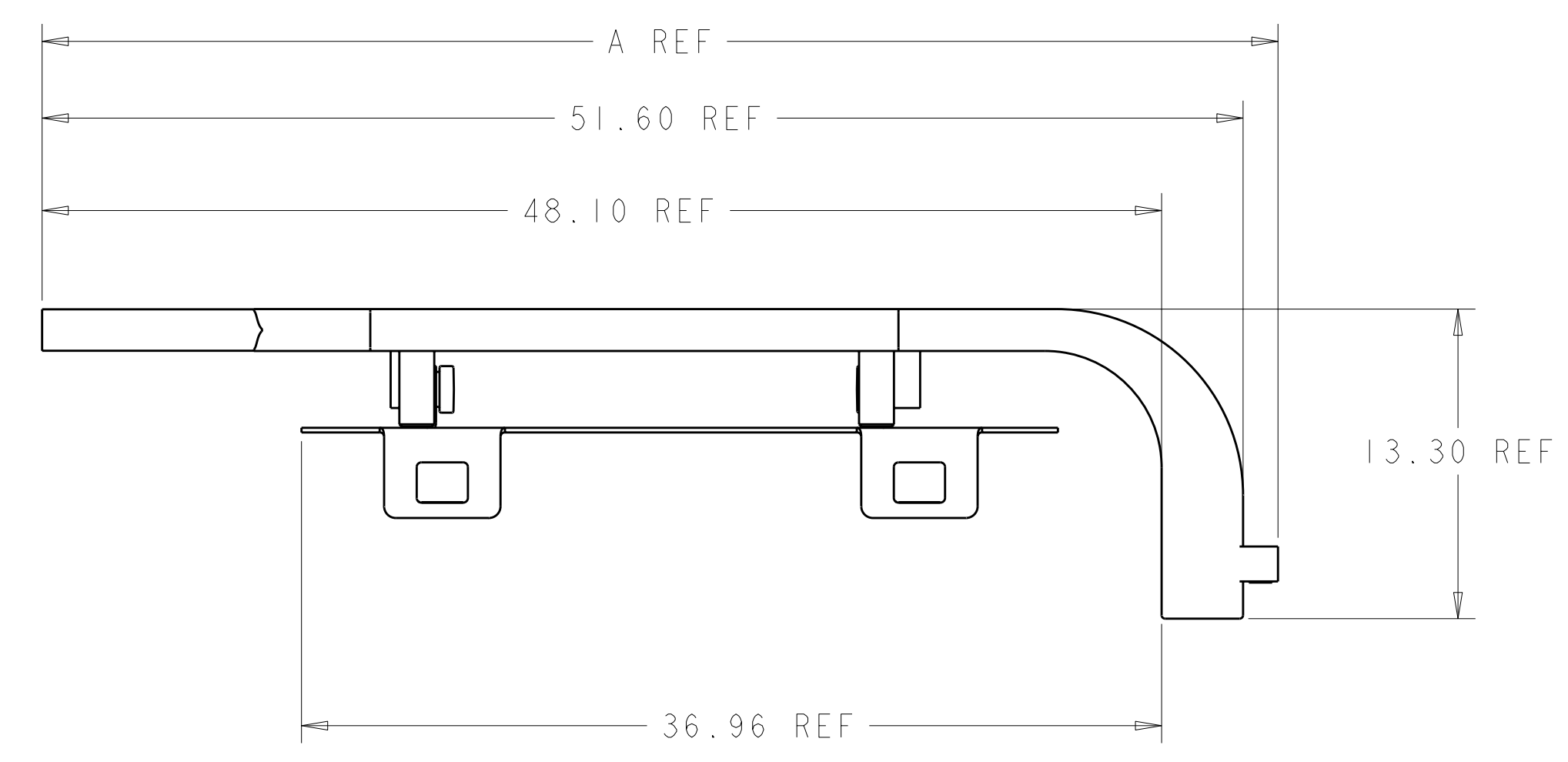
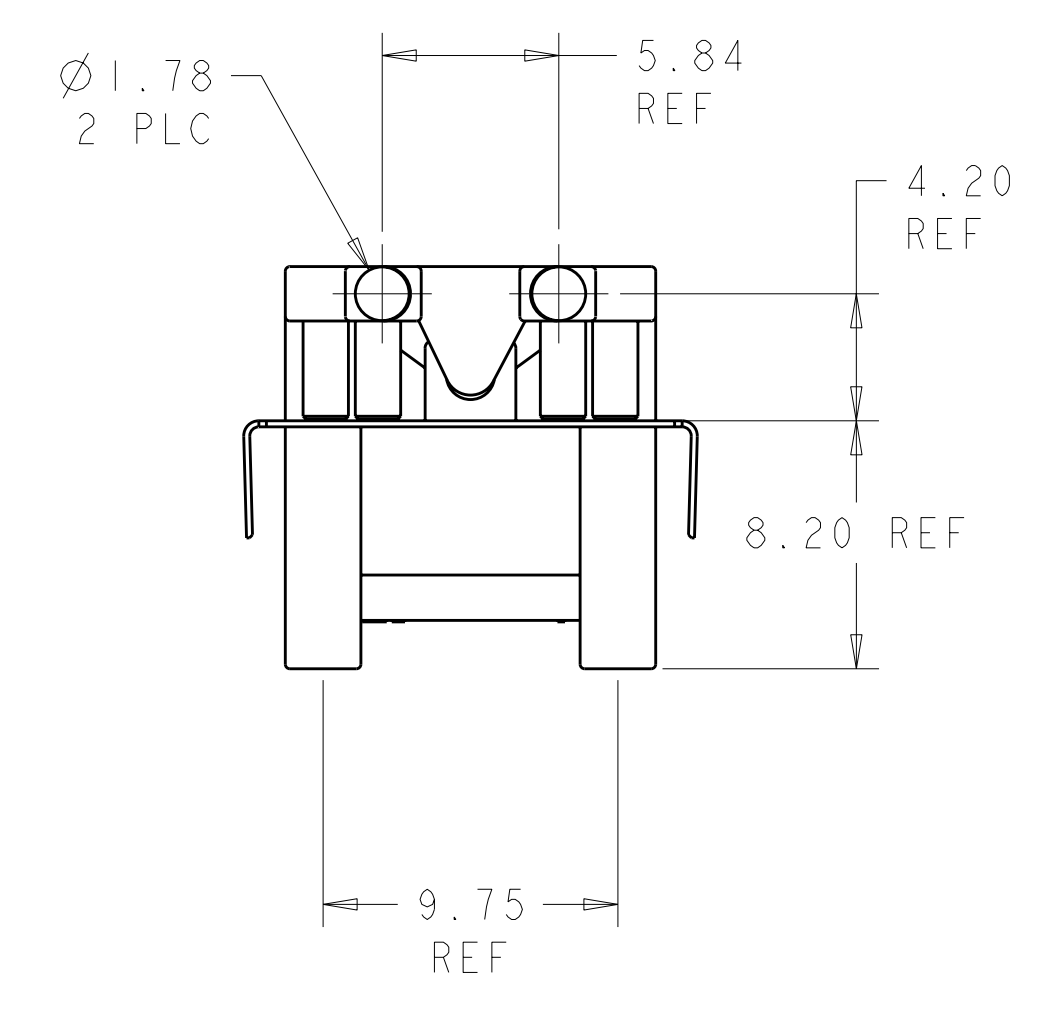
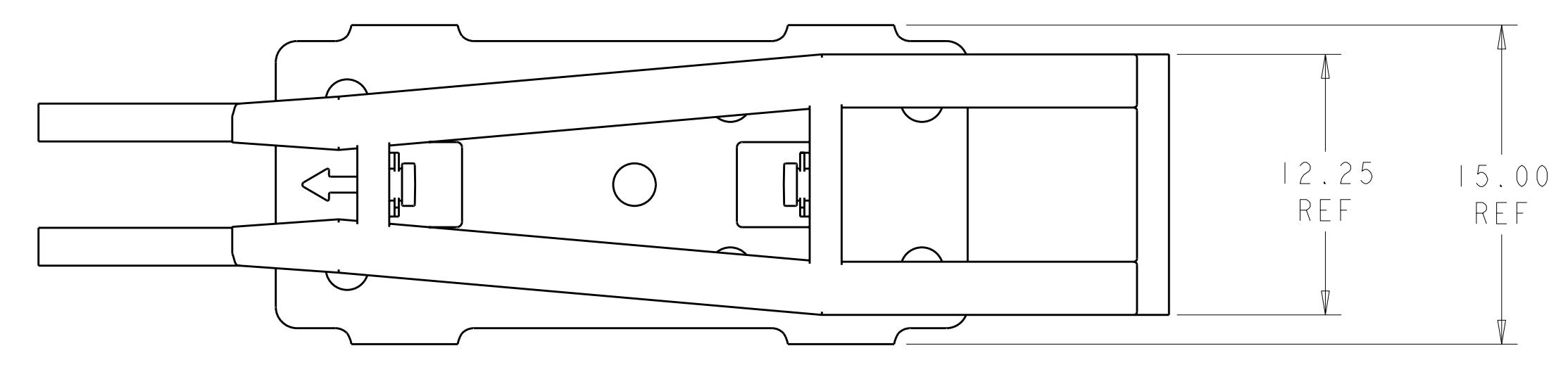


LOC	DIST	REVISIONS					
ES	00	P	LT#	DESCRIPTION	DATE	DWN	APVD
		B		ECO-08-002182	14JAN08	ML	SY
		C		REVISED PER ECO-12-003825	17FEB2012	JY	AC



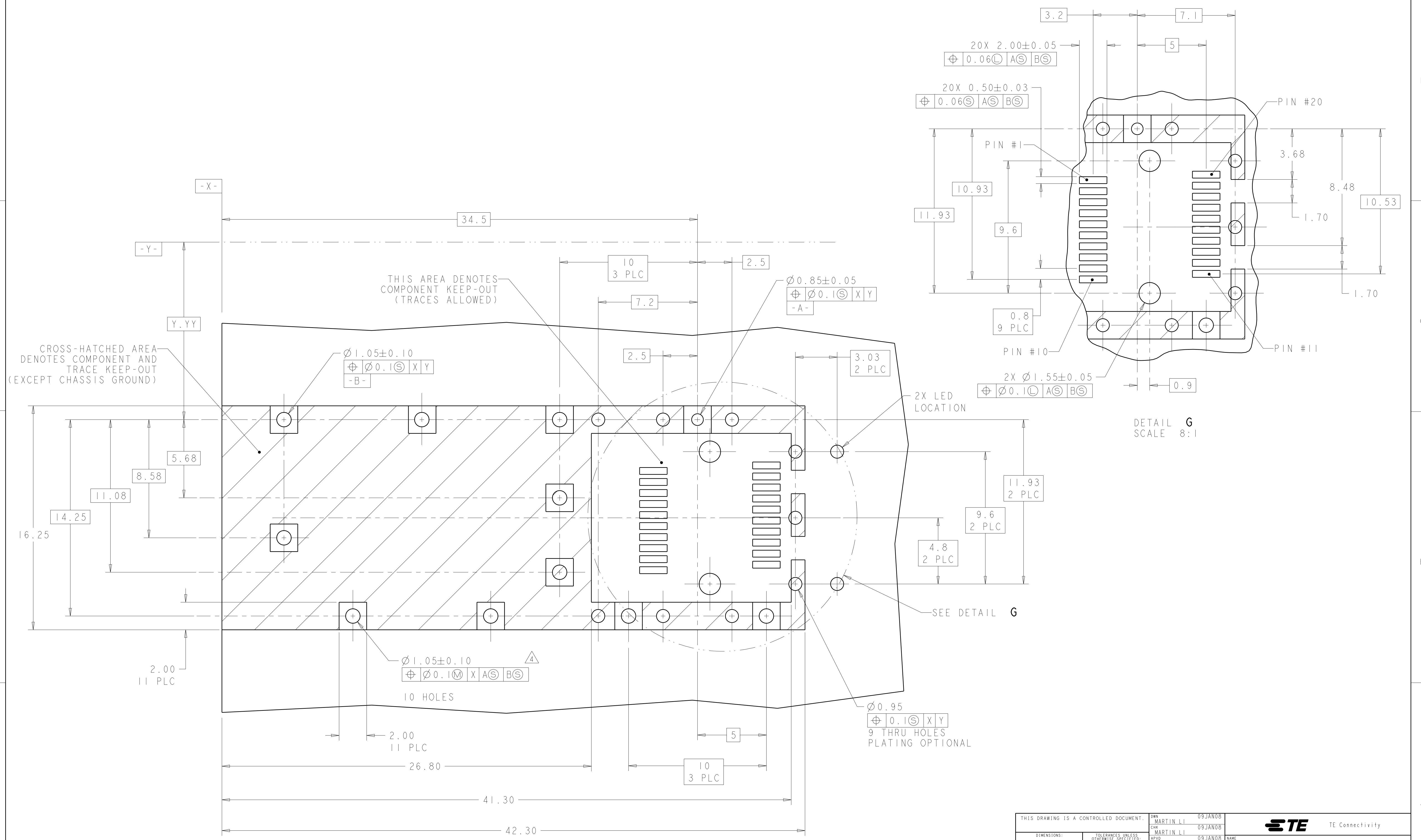
1. MATERIAL:
 LIGHTPIPE: POLYCARBONATE, CLEAR
 LIGHTPIPE BRACKET: STAINLESS STEEL.

52	1367627-2
53.1	1367627-1
DIMENSION A	PART NUMBER

THIS DRAWING IS A CONTROLLED DOCUMENT.		DWN	MARTIN LI	09JAN08	NAME	STE	TE Connectivity
DIMENSIONS:		CHK	MARTIN LI	09JAN08			
TOLERANCES UNLESS OTHERWISE SPECIFIED:		APVD	STEVEN YAO	09JAN08	PRODUCT SPEC	LIGHT PIPE ASSEMBLY FOR IX1 SFP	
mm	0 PLC ±	APPLICATION SPEC		SIZE	CAGE CODE	DRAWING NO	RESTRICTED TO
	1 PLC ±0.10	WEIGHT		A100779	C=1367627		
	2 PLC ±	CUSTOMER DRAWING		SCALE	2:1	SHEET	1 OF 3
	3 PLC ±			REV			C
	4 PLC ±						
	ANGLES ±						
MATERIAL	FINISH						

LOC	DIST	REV	DATE	BY	APPD
ES	00				

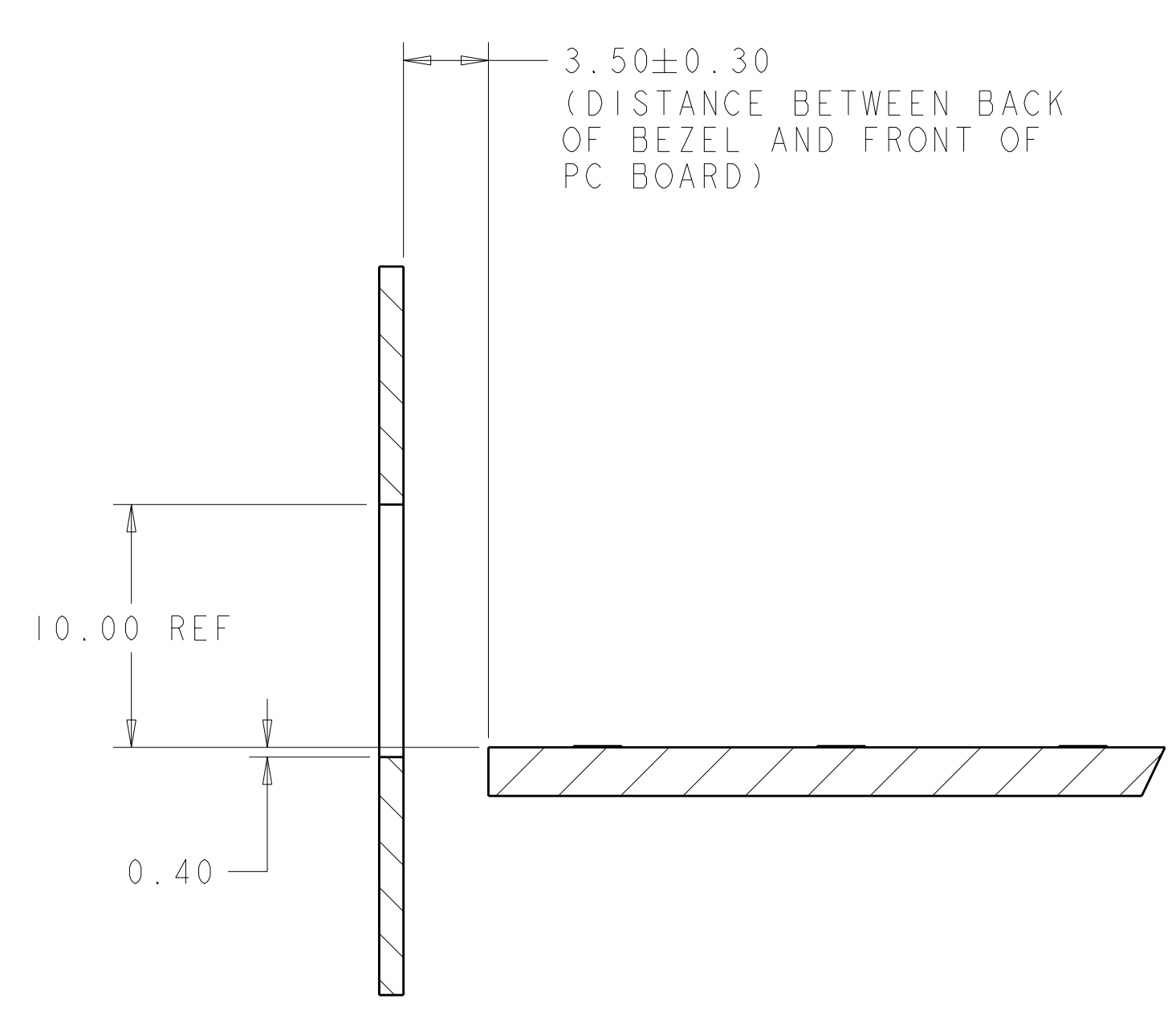
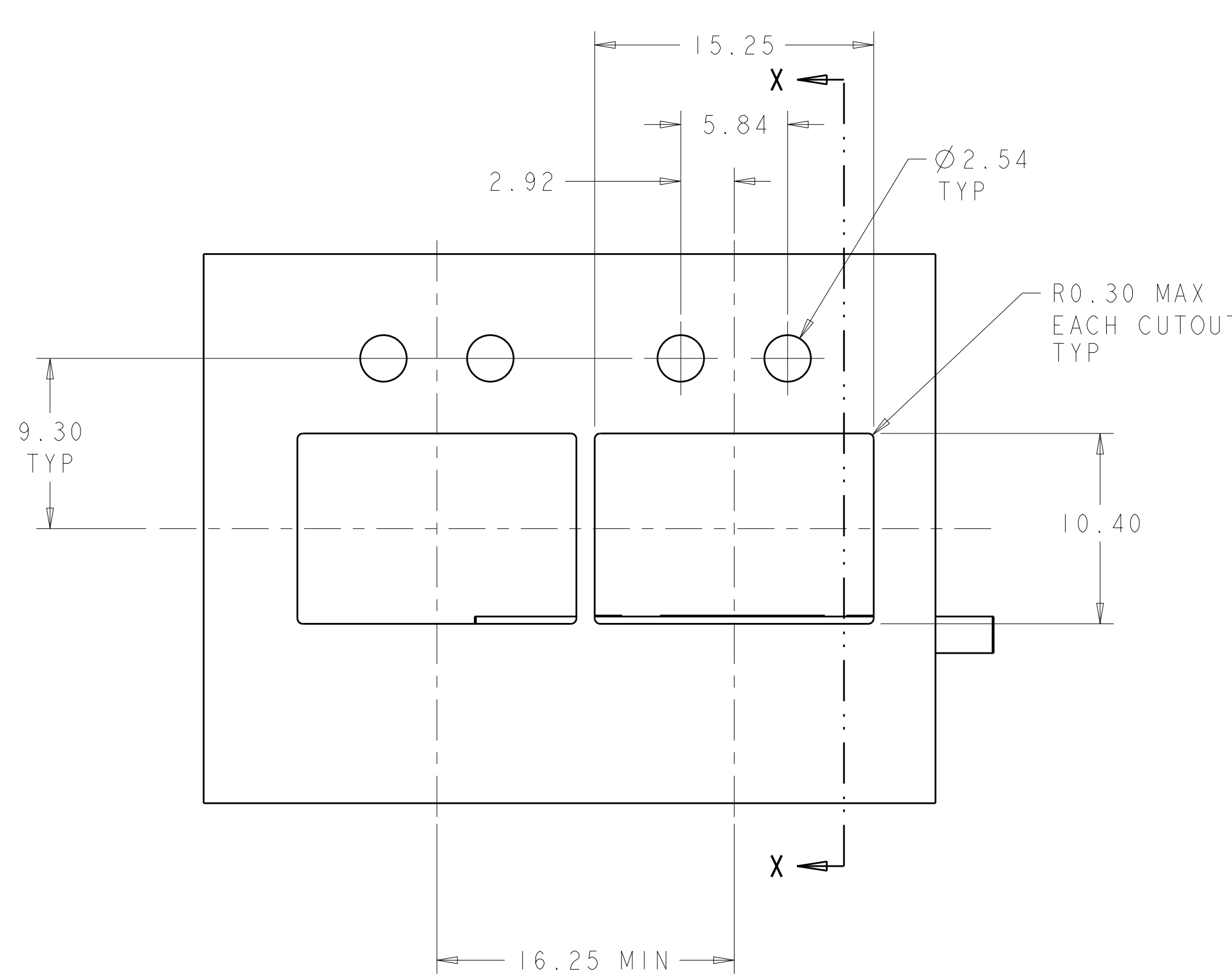
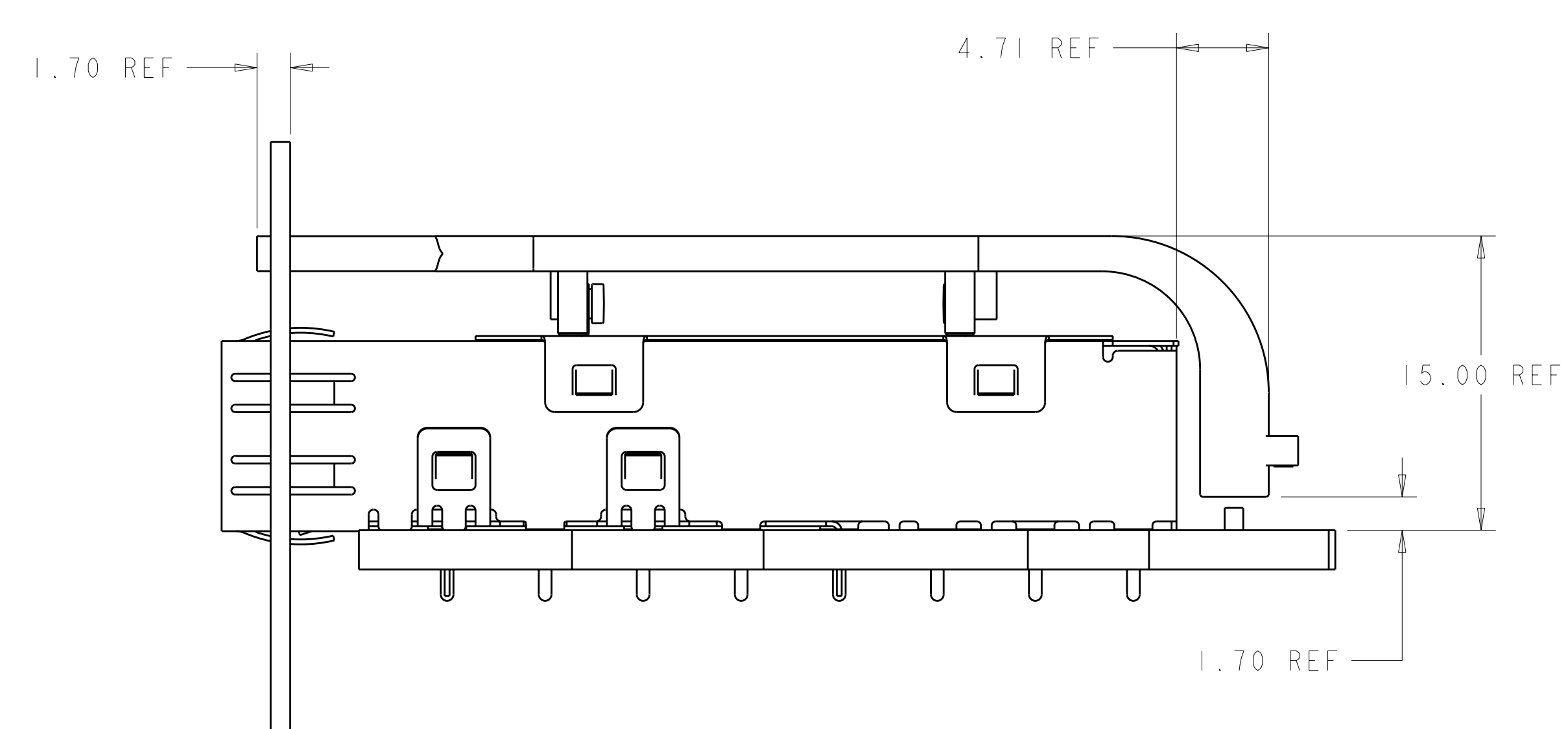
REVISIONS		DATE	BY	APPD
1	SEE SHEET 1			



RECOMMENDED PCB LAYOUT
SCALE 8:1

THIS DRAWING IS A CONTROLLED DOCUMENT.		DWN MARTIN LI 09JAN08 CHK MARTIN LI 09JAN08 APVD STEVEN YAO 09JAN08	TE Connectivity
DIMENSIONS: mm 		NAME PRODUCT SPEC APPLICATION SPEC	
TOLERANCES UNLESS OTHERWISE SPECIFIED: 9 PLC ± 3 PLC ±0.10 5 PLC ± 4 PLC ± ANGLES ±		SIZE CAGE CODE DRAWING NO A100779C=1367627	RESTRICTED TO
MATERIAL: FINISH:		WEIGHT:	SCALE 5:1 SHEET 2 OF 3 REV C
CUSTOMER DRAWING			

LOC	DIST	REVISIONS			
ES	00	REV	DATE	DWN	APVD
-	-	SEE SHEET 1	-	-	-



SECTION X-X

RECOMMENDED BEZEL CUTOUT AND PC BOARD-BEZEL POSITION

THIS DRAWING IS A CONTROLLED DOCUMENT.		DWN: MARTIN LI 09JAN08	TE Connectivity
DIMENSIONS: mm		CHK: MARTIN LI 09JAN08	
TOLERANCES UNLESS OTHERWISE SPECIFIED:		APVD: STEVEN YAO 09JAN08	NAME: -
0 PLC ±	1 PLC ±0.10	PRODUCT SPEC	LIGHT PIPE ASSEMBLY FOR IX1 SFP
2 PLC ±	3 PLC ±	APPLICATION SPEC	SIZE: CAGE CODE: DRAWING NO: RESTRICTED TO: -
4 PLC ±	ANGLES ±	WEIGHT: -	A100779C=1367627
MATERIAL: -	FINISH: -	CUSTOMER DRAWING	SCALE: 2:1 SHEET 3 OF 3 REV C